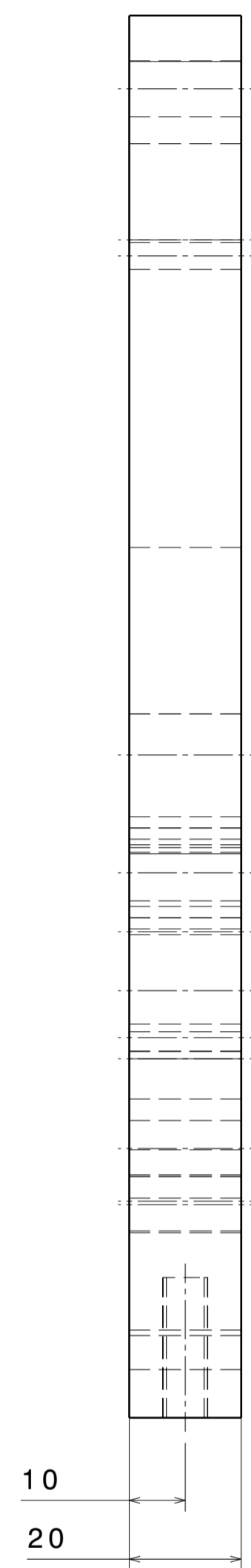


Matière : Acier
 Nombre : 1

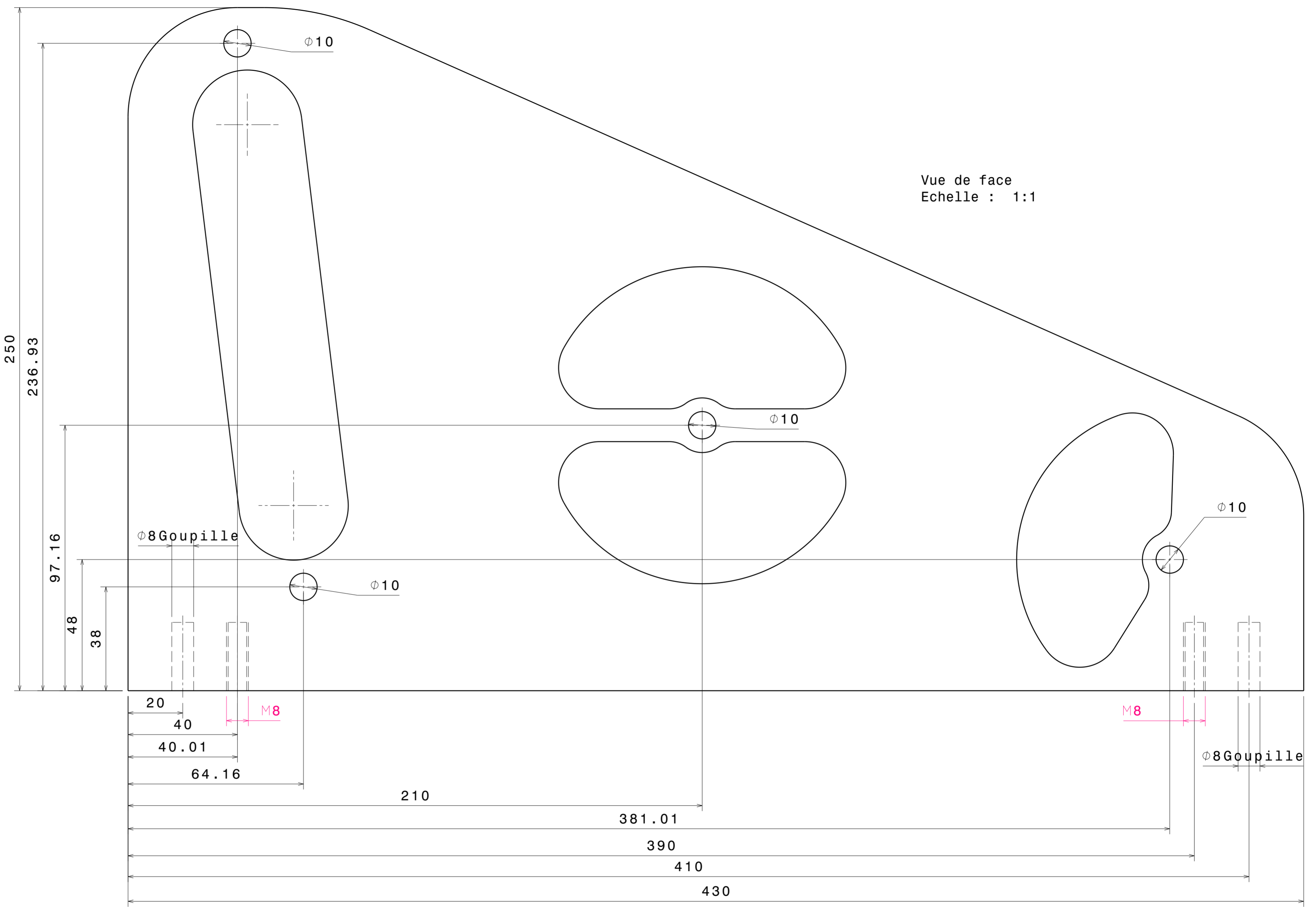
DESIGNED BY:	U482888	Posage_soudure boite_a_air	I	-
DATE:	05/12/2016		H	-
DRAWN BY:	XXX	DASSAULT SYSTEMES	G	-
DATE:	XXX		F	-
SIZE:	A0	DASSAULT SYSTEMES	E	-
SCALE:	1:1		D	-
REVISION (No):	1,14	9150042	C	-
DRAWING NUMBER:			B	-
			A	1/1

This drawing is our property. It can't be reproduced or communicated without our written agreement.



Vue de droite
Echelle : 1:1

10
20



Vue de face
Echelle : 1:1

Matière : Acier
Nombre : 2

DESIGNED BY:	U482888
DATE:	05/12/2016
CHECKED BY:	XXX
DATE:	XXX
SIZE:	A2
SCALE:	1:1

Posage_soudure boite_a_air	
DASSAULT SYSTEMES	
WEIGHT (kg)	0,63
DRAWING NUMBER	9150043
SHEET	1/1

I	-
H	-
G	-
F	-
E	-
D	-
C	-
B	-
A	-

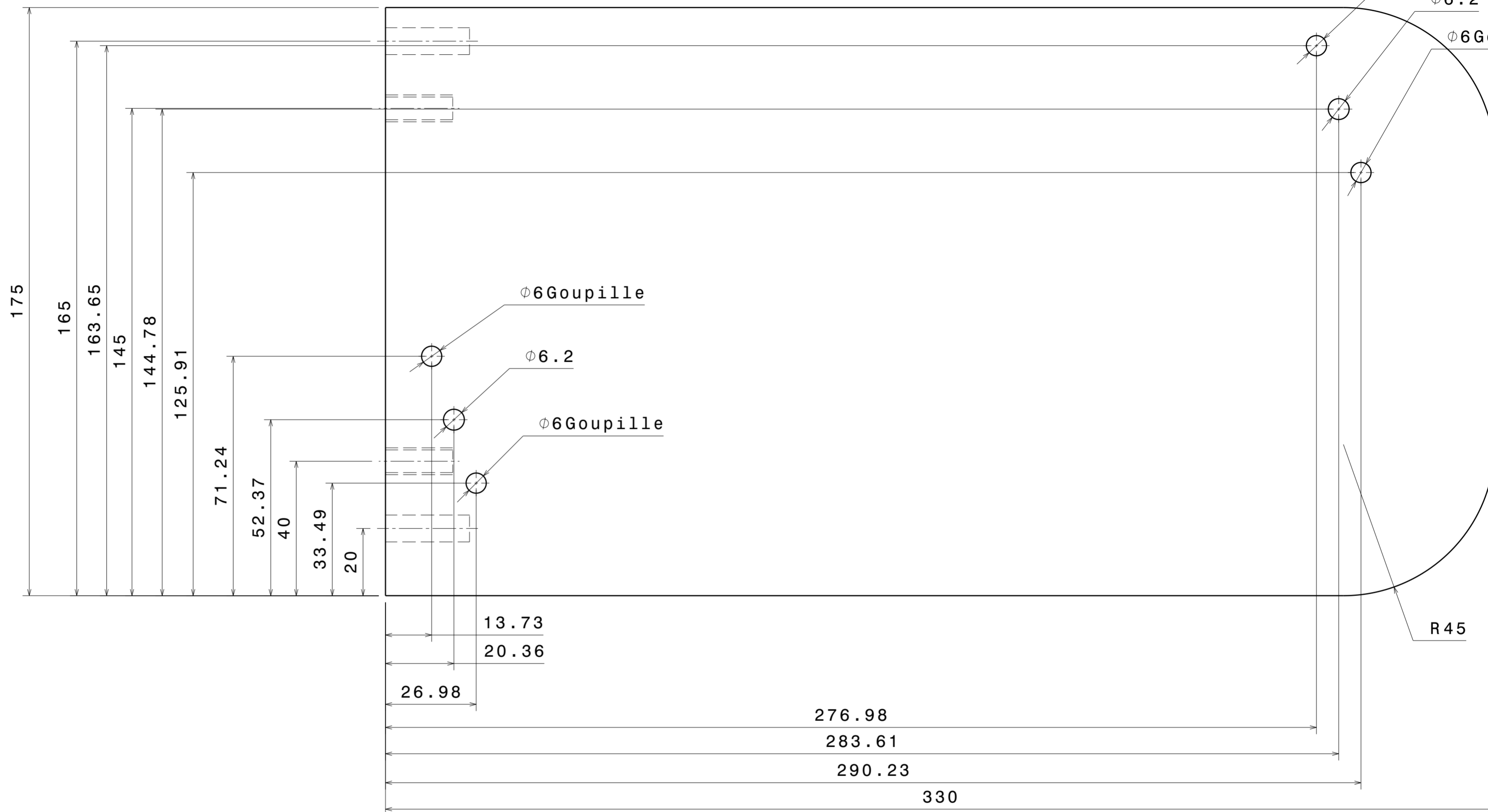
This drawing is our property; it can't be reproduced or communicated without our written agreement.

Taroudage M8

Ø8 Goupille

Vue de droite
Echelle : 1:1

10
20



Ø6 Goupille
Ø6.2
Ø6 Goupille

Ø6 Goupille
Ø6.2
Ø6 Goupille

R45

13.73
20.36
26.98
276.98
283.61
290.23
330

175
165
163.65
145
144.78
125.91

71.24
52.37
40
33.49
20

Matière : acier
Nombre : 2

Vue de face
Echelle : 1:1

DESIGNED BY:
U482888
DATE:
05/12/2016
CHECKED BY:
XXX
DATE:
XXX

Posage_soudure
boite_a_air

SIZE
A2

DASSAULT SYSTEMES

SCALE
1:1

WEIGHT (kg)
0,71

DRAWING NUMBER
9150044

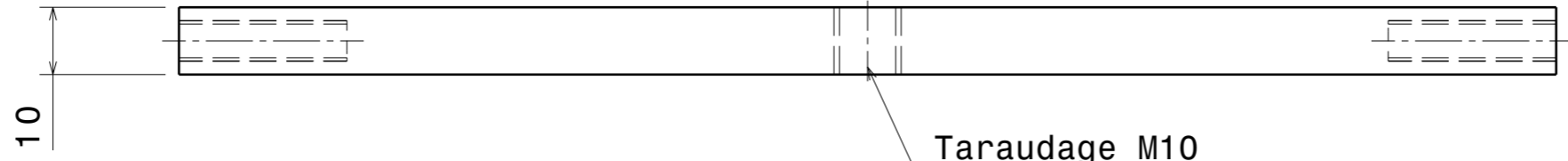
SHEET
1/1

I	-
H	-
G	-
F	-
E	-
D	-
C	-
B	-
A	-

This drawing is our property; it can't be reproduced or communicated without our written agreement.

H G F E D C B A

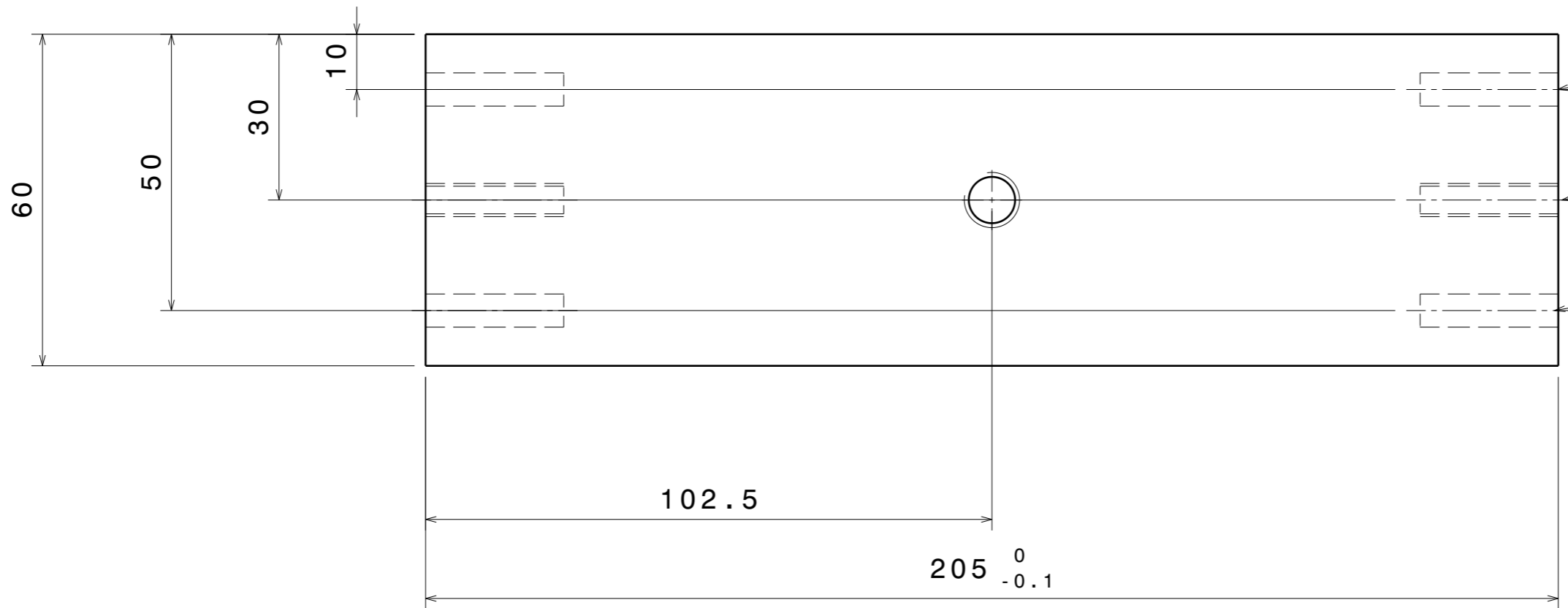
4



Taraudage M10

Vue de dessous
Echelle : 1:1

3



Ø6 Goupille

Taraudage M6

Ø6 Goupille

Vue de face
Echelle : 1:1

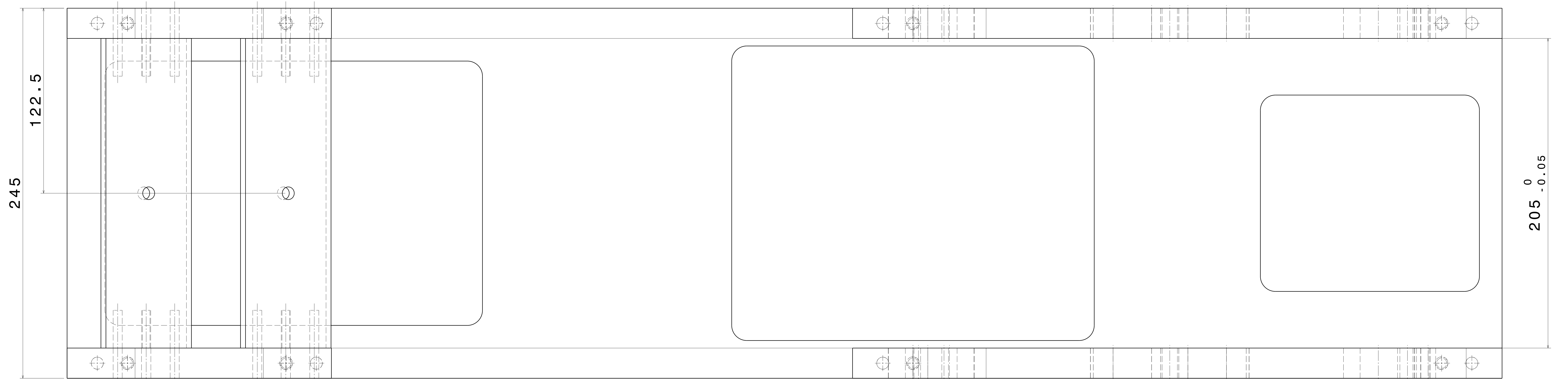
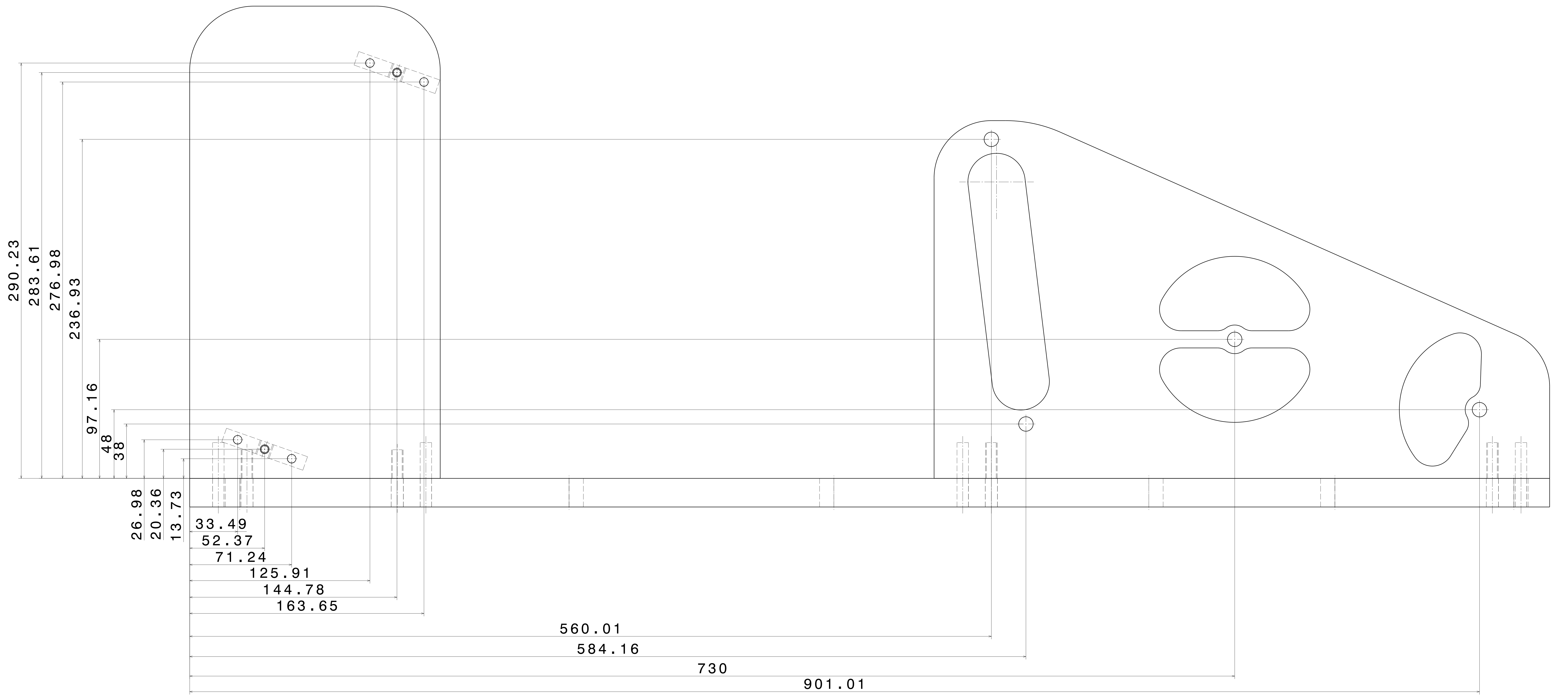
2

1

Matière : Acier
Nombre : 2

DESIGNED BY: U482888		<h1>Posage_soudure boite_a_air</h1>		I	-
DATE: 05/12/2016				H	-
CHECKED BY: XXX		<h2>DASSAULT SYSTEMES</h2>		G	-
DATE: XXX				F	-
SIZE A3		DRAWING NUMBER 9150045		E	-
SCALE 1:1	WEIGHT (kg) 0,16			D	-
		SHEET 1/1		C	-
				B	-
This drawing is our property; it can't be reproduced or communicated without our written agreement.				A	-

H G B A



Vue de dessus
 Echelle : 1:1