

F

E

D

C

B

A

4

4

3

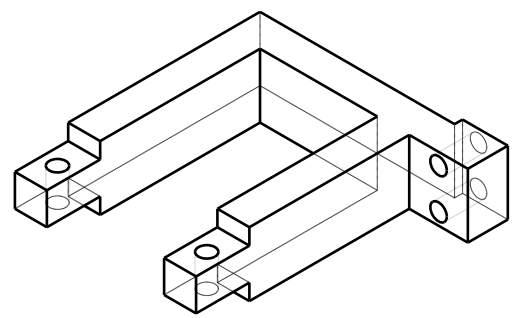
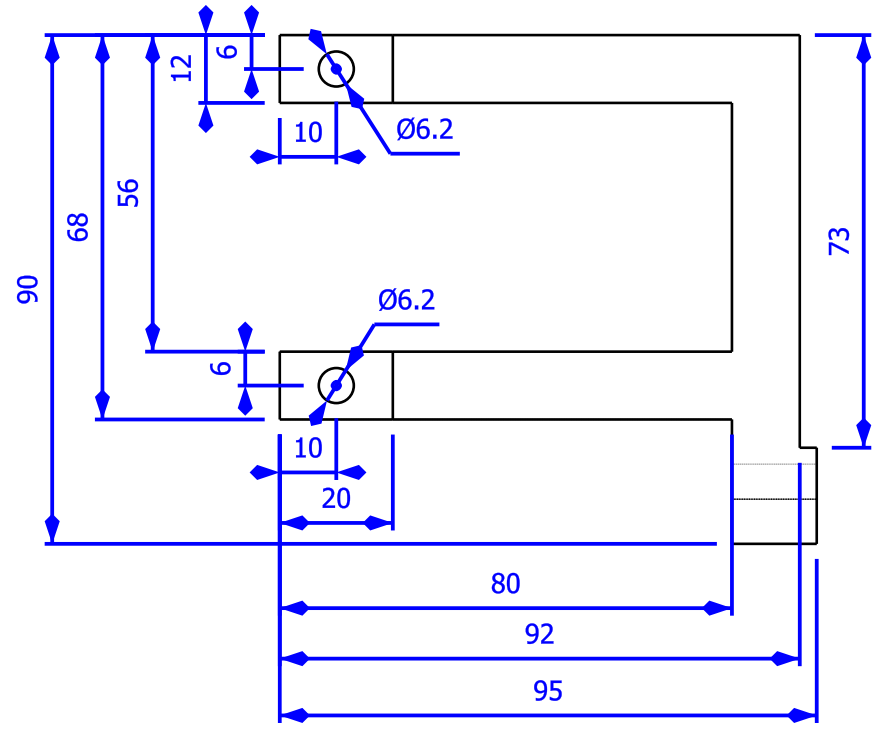
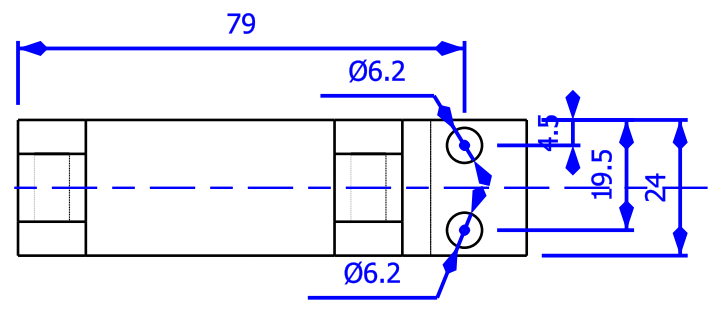
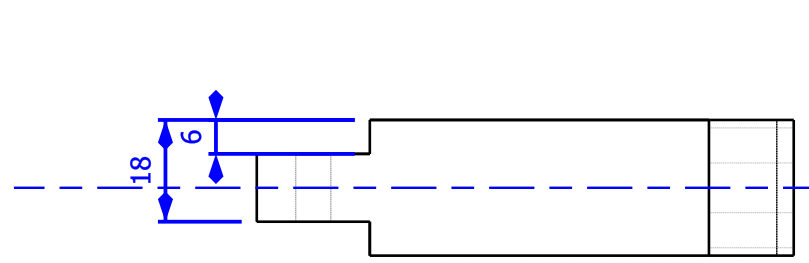
3

2

2

1

1



FOURCHE

DESIGNED BY: jp souverville				G	-
DATE: 12/07/2016 -				F	-
SIZE <b>A4</b>				E	-
SCALE	WEIGHT (kg)	DRAWING NUMBER	SHEET	D	-
	-			C	-
This drawing is our property; it can't be reproduced or communicated without our written consent.				B	-
				A	-

F

E

D

G

F

E

D

C

B

A